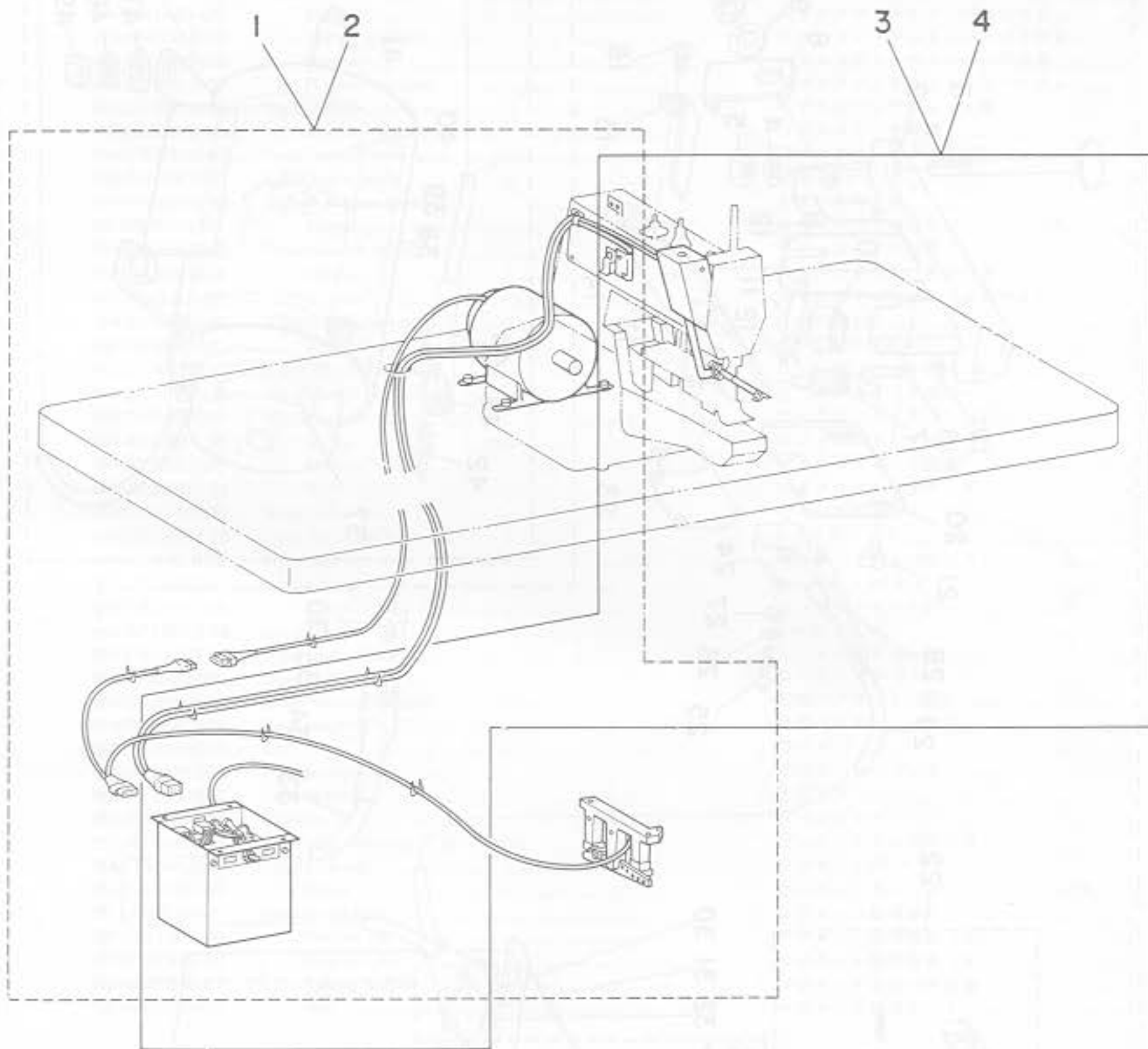


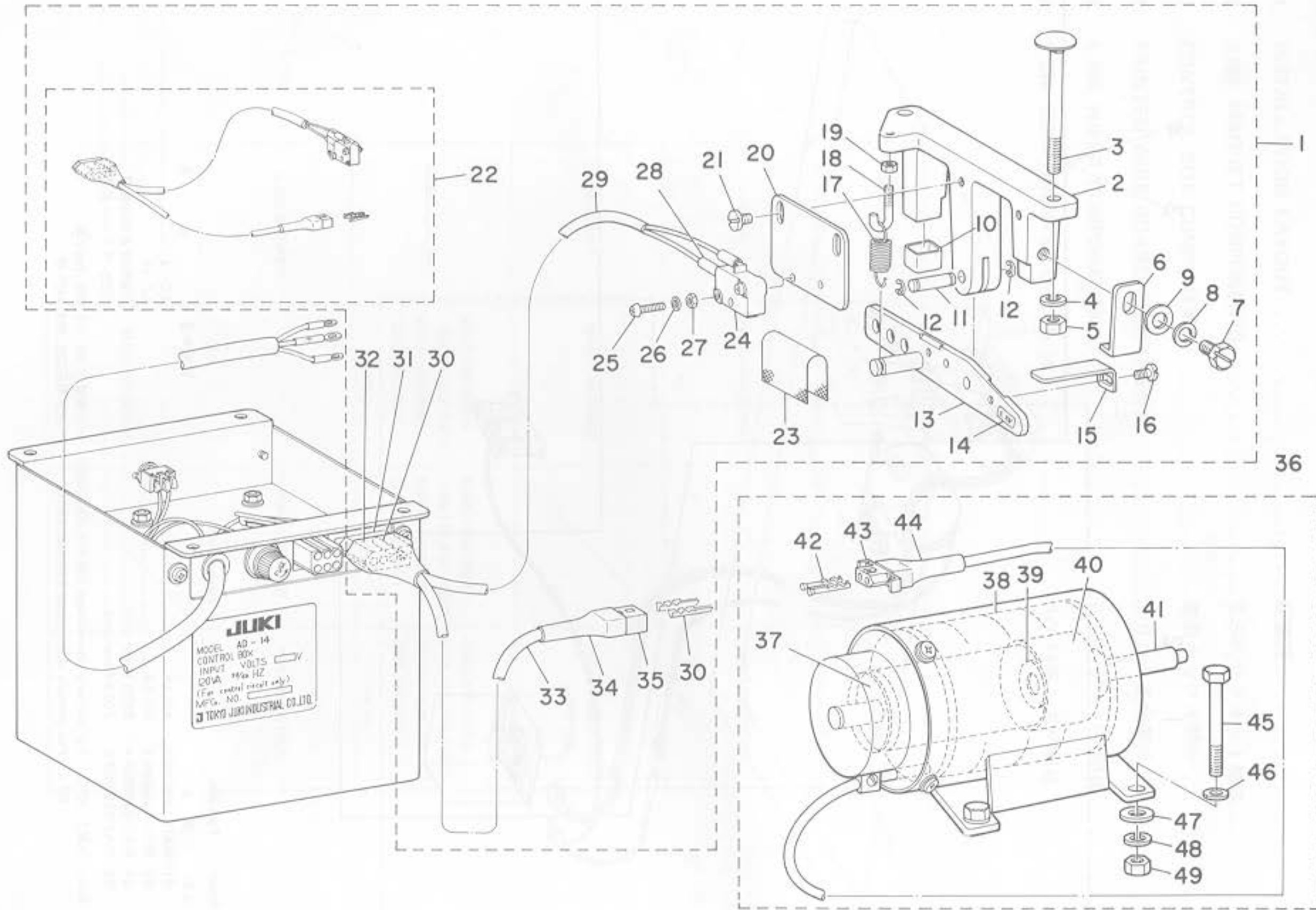
1. INSTALLATION LAYOUT

配置図



| Ref. No. | Note | Part No. | Description | E.C. 変更年月 | 品名 | Amt. Req. 数量 |
|----------|------|--------------|-----------------------|--------------|--------------|-----------------|
| | 注記 | 品番 | | | | |
| 1 | 01 | MAO-145500FA | AO-14 | AO-14 | | 1 |
| 2 | 02 | MAO-145500FB | AO-14 | AO-14 | | 1 |
| 3 | 01 | MAZ-025000FA | Z025 Wiper unit | Z025 | ワイパー装置 | 1 |
| 4 | 02 | MAZ-025000FB | Z025 Wiper unit | Z025 | ワイパー装置 | 1 |

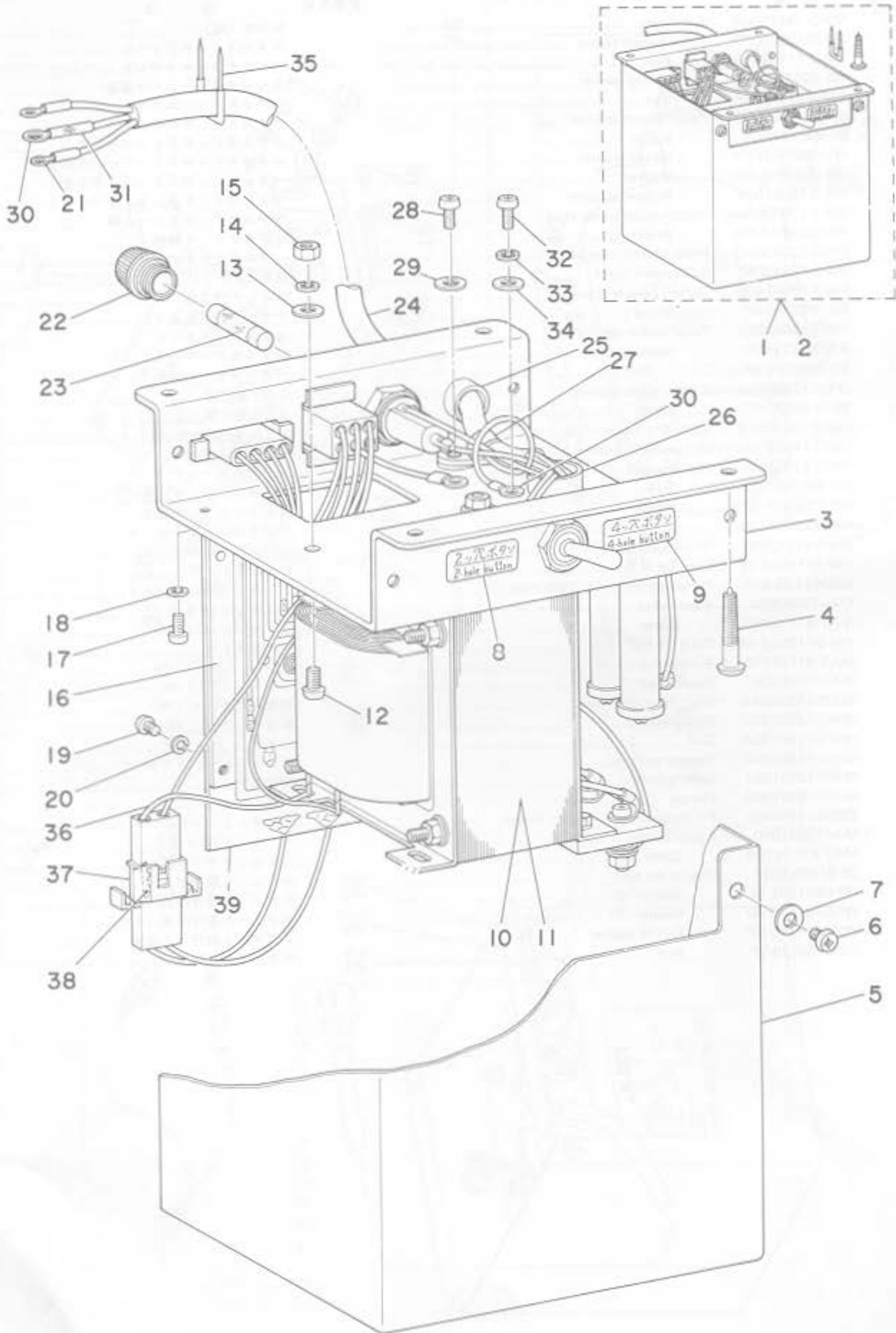
Note (注記) 01 For primary side voltage 100,115,200,240V 一次側電圧100、115、200、240V用
 02 For primary side voltage 220,380,440V 一次側電圧220、380、440V用



2. S.SW, MAGNET COMPONENTS (AO-14, AO-14/Z025)

S.SW、マグネット関係(AO-14、AO-14/Z025)

| Ref. No. | Note | Part No. | Description | E.C. | Amt. Req. |
|----------|------|---------------|---------------------------------|------|-----------|
| | 注記 | 品番 | | 変更年月 | 数量 |
| 1 | | MAO-14525080 | S.SW asm. | | 1 |
| 2 | | MAO-12505000 | Pedal switch frame | | (1) |
| 3 | | MAO-11108N00 | . . . Bolt | | (2) |
| 4 | | WS-0651510-KP | . . . Spring washer | | (2) |
| 5 | | NM-6060000-SB | . . . Nut | | (2) |
| 6 | | MAO-12507000 | Pedal switch stopper | | (1) |
| 7 | | SS-9151440-CP | . . . Screw | | (1) |
| 8 | | WS-0651510-KP | . . . Spring washer | | (1) |
| 9 | | WP-0650876-SD | . . . Washer | | (1) |
| 10 | | MAO-72001000 | . . . Rubber stopper | | (1) |
| 11 | | MAO-12002000 | Pedal switch frame stud | | (1) |
| 12 | | RE-0320610-KX | . . . Snap ring | | (2) |
| 13 | | MAO-520030A0 | Pedal switch lever asm. | | (1) |
| 14 | | MAO-11542000 | S.SW name plate | | (1) |
| 15 | | MAO-52001000 | Switch presser plate | | (1) |
| 16 | | SS-7090710-SP | . . . Screw | | (1) |
| 17 | | MAO-12509000 | Pedal switch spring | | (1) |
| 18 | | B2633-232-000 | . . . Hook | | (1) |
| 19 | | NS-6090310-SP | Nut | | (1) |
| 20 | | MAO-12506000 | S.SW installing plate | | (1) |
| 21 | | SS-7110820-SP | . . . Screw | | (2) |
| 22 | | MAO-145250A0 | S.SW-4P cord asm. | | (1) |
| 23 | | MAO-11602N00 | Micro-switch cover | | (1) |
| 24 | | MAO-51503000 | Micro-switch | | (1) |
| 25 | | SM-4031601-SB | . . . Screw | | (2) |
| 26 | | WP-0330501-SB | . . . Washer | | (2) |
| 27 | | NM-6030000-SB | . . . Nut | | (2) |
| 28 | | MAO-11512000 | Vinyl tube (A) | | (2) |
| 29 | | HW-5F18S12-28 | Cord for S.SW | | (0.7) |
| 30 | | D6043-555-B00 | Pin-shape terminal, 1380 male | | (6) |
| 31 | | MAi-15042000 | 4-pole plug | | (1) |
| 32 | | MAT-81119T00 | . . . Cover | | (1) |
| 33 | | HW-5F18S12-28 | Cord for SM | | (0.5) |
| 34 | | MAT-81126T00 | 2-pole plug cover | | (1) |
| 35 | | MAi-15040000 | 2-pole plug | | (1) |
| 36 | | MAO-145240A0 | Starting magnet asm. | | 1 |
| 37 | | MAO-1250100E | Rear packing | | (1) |
| 38 | | MAO-1250100A | Coil | | (1) |
| 39 | | MAO-1250100C | Plunger packing | | (1) |
| 40 | | MAO-1250100J | Setting core | | (1) |
| 41 | | MAO-1250100D | Plunger | | (1) |
| 42 | | D6042-555-B00 | Pin-shape terminal, 1381 female | | (2) |
| 43 | | MAi-15041000 | 2-pole socket | | (1) |
| 44 | | MAT-81126T00 | . . . Cover | | (1) |
| 45 | | SS-9165530-SP | Magnet set bolt | | (4) |
| 46 | | WP-0651001-SB | . . . Washer (B) | | (4) |
| 47 | | WP-0751576-SD | . . . Washer (A) | | (4) |
| 48 | | WS-0651510-KP | . . . Spring washer | | (4) |
| 49 | | NS-6160520-SP | . . . Nut | | (4) |

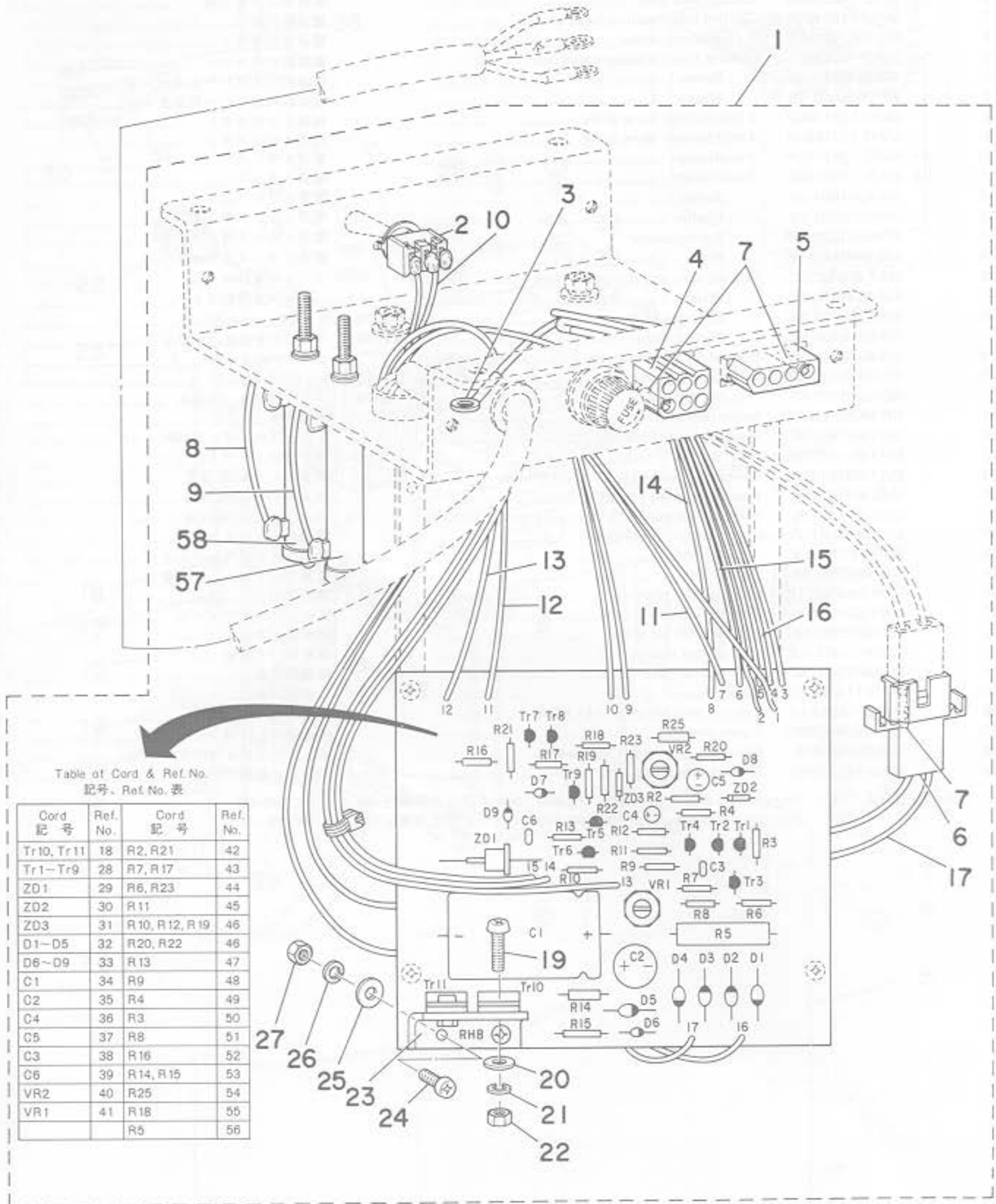


3. CONTROL BOX COMPONENTS

電装ボックス関係

| Ref. No. | Note | Part No. | Description | E.C. | 品名 | Amt. Req. |
|----------|------|---------------|-------------------------------------|--------|----------------------------|-----------|
| | 注記 | 品番 | | 変更年月 | | 数量 |
| 1 | 01 | MAO-145220BA | Control box asm. | | 電装ボックス (組) | 1 |
| 2 | 02 | MAO-145220BB | Control box asm. | | 電装ボックス (組) | 1 |
| 3 | | MAO-14504000 | Control box installing base | | 電装取付台 | (1) |
| 4 | | SK-3452000-SC | Wooden screw | | 電装取付木ネジ | (4) |
| 5 | | MAO-12513000 | Control box installing base cover | | 電装取付台カバー | (1) |
| 6 | | SM-4040601-SB | Screw | | 電装取付台カバー止ネジ | (4) |
| 7 | | WP-0450501-SB | Washer | | 電装取付台カバー用座金 | (4) |
| 8 | | MAO-12517000 | 2-hole button name plate | | 銘板 2ツ穴ボタン | (1) |
| 9 | | MAO-12516000 | 4-hole button name plate | | 銘板 4ツ穴ボタン | (1) |
| 10 | 01 | MAO-1251100A | Transformer | | 電源トランス | (1) |
| 11 | 02 | MAO-1251100B | Transformer | | 電源トランス | (1) |
| 12 | | SM-4041601-SB | Screw | | 電源トランス止ネジ | (4) |
| 13 | | WP-0450501-SB | Washer | | 電源トランス用座金 | (4) |
| 14 | | WS-0411002-KB | Spring washer | | 電源トランス用バネ座金 | (4) |
| 15 | | NM-6040000-SB | Nut | | 電源トランス止ナット | (4) |
| 16 | | MAT-80152T00 | Printed wire board support plate | | プリント支持板 | (2) |
| 17 | | SM-4031001-SB | Screw | | プリント支持板止ネジ | (2) |
| 18 | | WS-0310702-KB | Spring washer | D.8/79 | WS-0310702-KB | - |
| | | WS-0310702-KS | Spring washer | A.8/79 | プリント支持板バネ座金 | (2) |
| 19 | | SM-4030601-SB | Printed wire board screw | | プリント板止ネジ | (4) |
| 20 | | WS-0310702-KB | Spring washer | D.8/79 | WS-0310702-KB | - |
| | | WS-0310702-KS | Spring washer | A.8/79 | プリント板用バネ座金 | (4) |
| 21 | | HP-1A32PLC-12 | Solderless terminal | | 圧着端子 | (2) |
| 22 | | MAT-80142T00 | Fuse holder for 4000 | | ヒューズホルダー 4000ネジ式 | (1) |
| 23 | | MAT-80143T00 | Fuse 3A | | 硝子管ヒューズ 3A | (1) |
| 24 | | MAT-80151T00 | Power source cord 0.75 with 3 cores | | 電源コード 0.75 ² 3芯 | (1, 2) |
| 25 | | MAT-80147T00 | Rubber bushing TB0813 | | ゴムブッシュ TB0813 | (1) |
| 26 | | MAT-80148T00 | Rubber bushing TB1116 | | ゴムブッシュ TB1116 | (1) |
| 27 | | MAT-80159T00 | Power source cord holder | | 電源コード引き止 | (1) |
| 28 | | SM-4041001-SB | Screw | | 電源コードクランプ止ネジ | (1) |
| 29 | | WP-0450501-SB | Washer | | 電源コードクランプ座金 | (1) |
| 30 | | HP-1A43PEC-12 | Ground wire terminal | | 接地端子 | (2) |
| 31 | | MAT-80158T00 | Ground wire mark tube | | アースマークチューブ | (1) |
| 32 | | SM-4041001-SB | Ground wire set screw | | 接地用止ネジ | (1) |
| 33 | | WS-0411002-KB | Spring washer | | 接地用バネ座金 | (1) |
| 34 | | WP-0450501-SB | Washer | | 接地用座金 | (1) |
| 35 | | MAO-11532000 | Staple | | ステンプル | (10) |
| 36 | | HW-2F18S12-14 | Electric wire 19/0.18 (YELLOW) | | 電線 19/0.18 (黄) | (0.5) |
| 37 | | MAI-15040000 | 2-pole plug | | コンセント 2Pオス | (1) |
| 38 | | D6043-555-B00 | Pin-shape terminal, 1380 male | | ピンターミナル 1380オス | (2) |
| 39 | | MAO-145230A0 | Printed wire board asm. | | プリント基板 (組) | (1) |

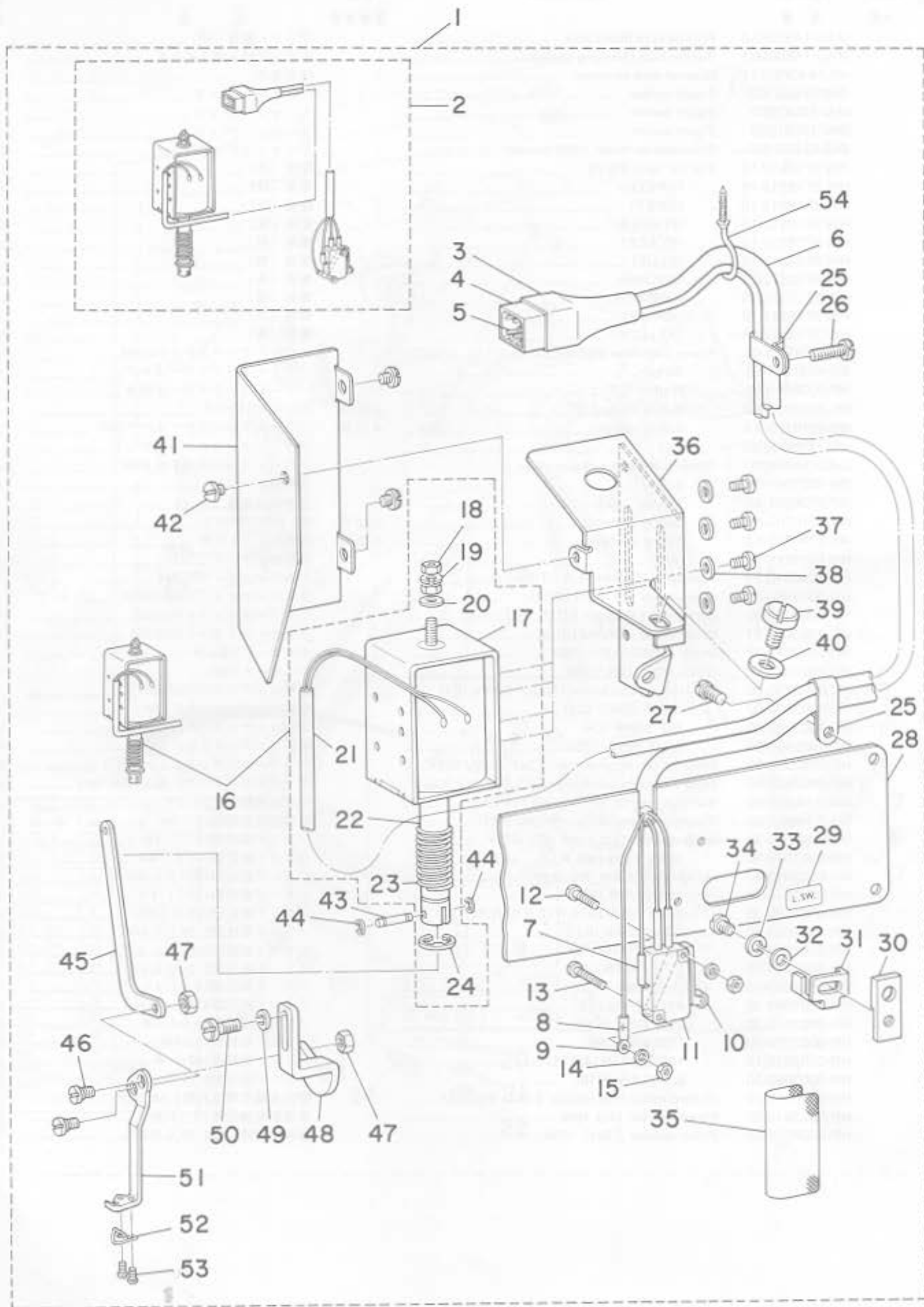
Note (注記) 01 For primary side voltage 100, 115, 200, 240V 一次側電圧 100, 115, 200, 240V用
 02 For primary side voltage 220, 380, 440V 一次側電圧 220, 380, 440V用



4. PRINTED WIRE BOARD COMPONENTS

プリント基板関係

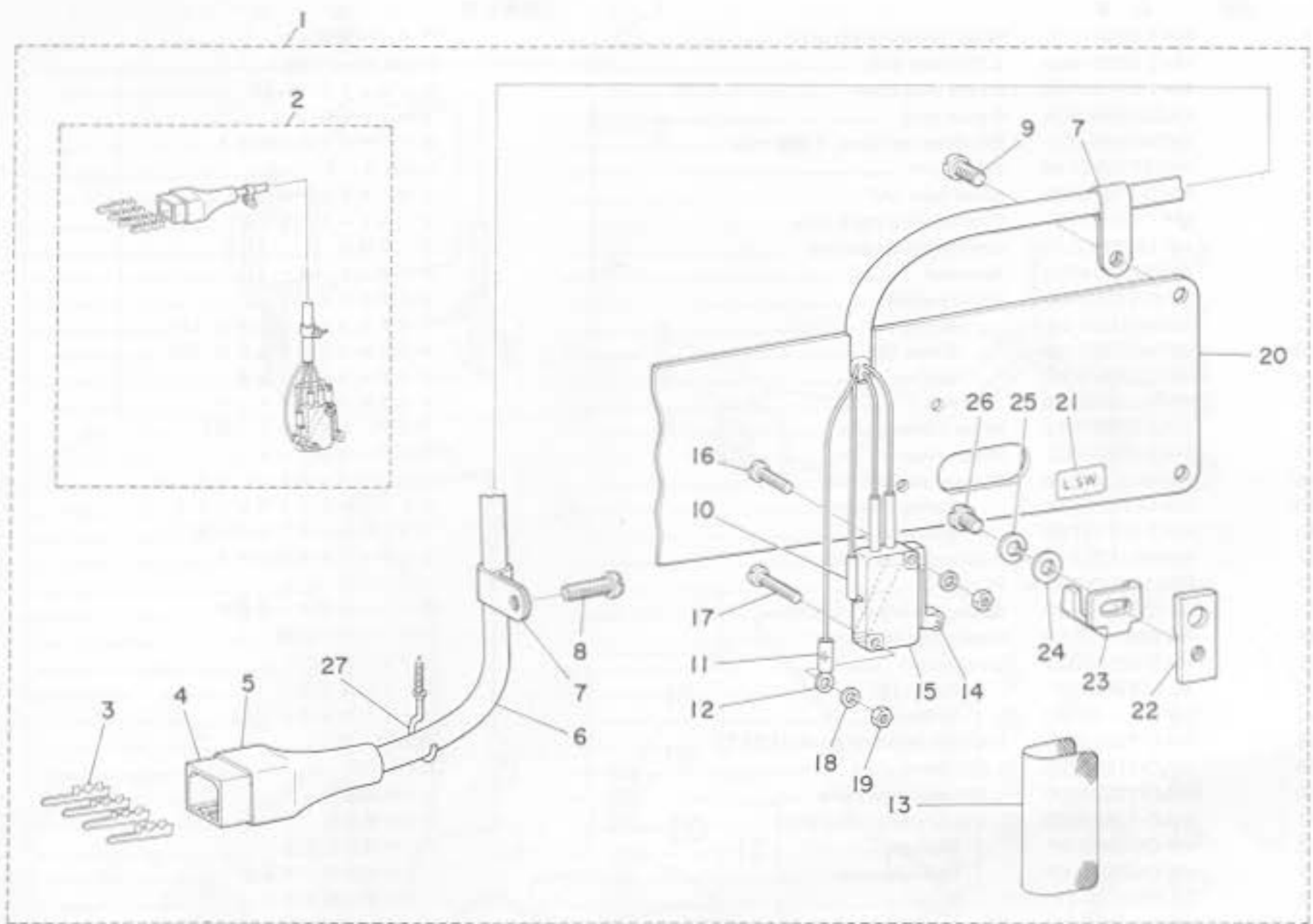
| Ref. No. | Note | Part No. | Description | E.C. | 品名 | Amt. Req. |
|----------|------|---------------|--|--------|----------------------|-----------|
| | 注記 | 品番 | | 変更年月 | | 数量 |
| 1 | | MAO-145230A0 | Printed wire board asm. | | プリント基板(組) | 1 |
| 2 | | MAO-14506000 | Button hole changing switch | | ボタン穴切り換スイッチ | (1) |
| 3 | | HP-1A43PEC-12 | Ground wire terminal | | 接地端子 | (1) |
| 4 | | D6029-555-B0B | 6-pole socket | | コンセント6Pメス | (1) |
| 5 | | MAi-15043000 | 4-pole socket | | コンセント4Pメス | (1) |
| 6 | | MAi-15041000 | 2-pole socket | | コンセント2Pメス | (1) |
| 7 | | D6042-555-B00 | Pin-shape terminal, 1381 female | | ピンターミナル1381メス | (12) |
| 8 | | HW-2F18S12-12 | Electric wire (RED) | | 電線(赤) | (0.6) |
| 9 | | HW-2F18S12-15 | ... (GREEN) | | 電線(緑) | (0.7) |
| 10 | | HW-2F18S12-18 | ... (GREY) | | 電線(灰) | (0.3) |
| 11 | | HW-2F18S12-17 | ... (PURPLE) | | 電線(紫) | (0.3) |
| 12 | | HW-2F18S12-10 | ... (BLACK) | | 電線(黒) | (0.3) |
| 13 | | HW-2F18S12-16 | ... (BLUE) | | 電線(青) | (0.3) |
| 14 | | HW-2F18S12-11 | ... (BROWN) | | 電線(茶) | (0.2) |
| 15 | | HW-2F18S12-13 | ... (ORANGE) | | 電線(橙) | (0.2) |
| 16 | | HW-2F18S12-19 | ... (WHITE) | | 電線(白) | (0.8) |
| 17 | | HW-2F18S12-14 | ... (YELLOW) | | 電線(黄) | (0.3) |
| 18 | | HT-5L80010-04 | Power transistor 2N6388 (Tr10,Tr11) | | パワートランジスター2N6388 | (2) |
| 19 | | SM-4031201-SB | ... Screw | | パワートランジスター止ネジ | (2) |
| 20 | | WP-0330501-SB | ... Washer | | パワートランジスター止座金 | (2) |
| 21 | | WS-0310702-KB | ... Spring washer | D.8/79 | WS-0310702-KS | - |
| | | WS-0310702-KS | ... Spring washer | A.8/79 | パワートランジスター止バネ座金 | (2) |
| 22 | | NM-6030000-SB | ... Nut | | パワートランジスター止ナット | (2) |
| 23 | | MAO-14507000 | Power transistor radiator plate | | パワートランジスター放熱板 | (1) |
| 24 | | SM-4031001-SB | ... Screw | | 放熱板止ネジ | (2) |
| 25 | | WP-0330501-SB | ... Washer | | 放熱板止座金 | (2) |
| 26 | | WS-0310702-KB | ... Spring washer | D.8/79 | WS-0310702-KS | - |
| | | WS-0310702-KS | ... Spring washer | A.8/79 | 放熱板止バネ座金 | (2) |
| 27 | | NM-6030000-SB | ... Nut | | 放熱板止ナット | (2) |
| 28 | | HT-3C40010-S3 | Transistor 2SC944 (Tr1~Tr9) | | トランジスター2SC944 | (9) |
| 29 | | HG-0002400-00 | Zener diode RD138M (ZD1) | | ツェナーダイオードRD138M | (1) |
| 30 | | HG-0002300-00 | Zener diode RD9AN (ZD2) | | ツェナーダイオードRD9AN | (1) |
| 31 | | HG-35660P1-0T | Zener diode RD6AM (ZD3) | | ツェナーダイオードRD6AM | (1) |
| 32 | | HG-2672014-7P | Diode 1N5624 (D1~D5) | | ダイオード1N5624 | (5) |
| 33 | | HG-2672011-2P | Diode V06C (D6~D9) | | ダイオードV06C | (4) |
| 34 | | HC-0002700-00 | Electrolytic condenser 1000μF 50WV (C1) | | 電解コンデンサ1000μF 50WV | (1) |
| 35 | | HC-0002600-00 | ... 100μF 35WV (C2) | | 電解コンデンサ100μF 35WV | (1) |
| 36 | | HC-0002200-00 | ... 1μF 50WV (C4) | | 電解コンデンサ1μF 50WV | (1) |
| 37 | | HC-0002400-00 | ... 3.3μF 35WV (C5) | | 電解コンデンサ3.3μF 35WV | (1) |
| 38 | | HC-0002300-00 | Solid tantalum condenser 2.2μF 35WV (C3) | | タンタルコンデンサ2.2μF 35WV | (1) |
| 39 | | HC-0002500-00 | Solid tantalum condenser 0.33μF 35WV (C6) | | タンタルコンデンサ0.33μF 35WV | (1) |
| 40 | | MAO-14502000 | Variable resistor 50kΩ 1/2W (VR2) | | 可変抵抗器50KΩ 1/2W | (1) |
| 41 | | MAO-14503000 | Variable resistor 500kΩ 1/2W (VR1) | | 可変抵抗器500KΩ 1/2W | (1) |
| 42 | | HR-0001010-20 | Solid resistor 1kΩ 1/4W (R2, R21) | | ソリッド抵抗器1KΩ 1/4W | (2) |
| 43 | | HR-0001010-30 | ... 10kΩ 1/4W (R7, R17) | | ソリッド抵抗器10KΩ 1/4W | (2) |
| 44 | | HR-0001010-40 | ... 100kΩ 1/4W (R6, R23) | | ソリッド抵抗器100KΩ 1/4W | (2) |
| 45 | | HR-0001015-10 | ... 150Ω 1/4W (R11) | | ソリッド抵抗器150Ω 1/4W | (1) |
| 46 | | HR-0001020-30 | ... 20kΩ 1/4W (R10,R12,R19,R20,R22) | | ソリッド抵抗器20KΩ 1/4W | (5) |
| 47 | | HR-0001022-20 | ... 2.2kΩ 1/4W (R13) | | ソリッド抵抗器2.2KΩ 1/4W | (1) |
| 48 | | HR-0001022-40 | ... 220kΩ 1/4W (R9) | | ソリッド抵抗器220KΩ 1/4W | (1) |
| 49 | | HR-0001027-20 | ... 2.7kΩ 1/4W (R4) | | ソリッド抵抗器2.7KΩ 1/4W | (1) |
| 50 | | HR-0001033-10 | ... 1kΩ 1/4W | | ソリッド抵抗器1KΩ 1/4W | (1) |
| 51 | | HR-0001047-30 | ... 47kΩ 1/4W (R8) | | ソリッド抵抗器47KΩ 1/4W | (1) |
| 52 | | HR-0002010-20 | ... 1kΩ 1/2W (R16) | | ソリッド抵抗器1KΩ 1/2W | (1) |
| 53 | | HR-0003010-00 | ... 10Ω 1W (R25) | | ソリッド抵抗器10Ω 1W | (2) |
| 54 | | HR-0003010-10 | ... 100Ω 1W (R14,R15) | | ソリッド抵抗器100Ω 1W | (1) |
| 55 | | HR-0003082-20 | ... 8.2kΩ 1W (R18) | | ソリッド抵抗器8.2KΩ 1W | (1) |
| 56 | | HR-0026010-20 | Oxidized metal film resistor 2.5kΩ 3W (R5) | | 酸化金属皮膜抵抗器2.5KΩ 3W | (1) |
| 57 | | HR-0027010-20 | Fixed resistor 1kΩ 10W | | 巻線固定抵抗器1KΩ 10W | (1) |
| 58 | | HR-0028015-20 | Fixed resistor 2.5kΩ 15W | | 巻線固定抵抗器2.5KΩ 15W | (1) |



5. L.SW, WIPER COMPONENTS (Z025, AO-14/Z025)

L-SW、ワイパー関係(Z025、AO-14/Z025)

| Ref. No. | Note | Part No. | Description | E.C. | Amt. Req. |
|----------|------|-----------------|------------------------------------|---------|-----------|
| | 注記 | 品番 | | 変更年月 | 数量 |
| 1 | | MAZ-025010C0 | Wiper components unit | | 1 |
| 2 | | MAZ-025010B0 | L.SW cord asm. | | 1 |
| 3 | | MAT-81131T00 | 6-pole plug cover | | (1) |
| 4 | | D6029-555-B0A | 6-pole plug | | (1) |
| 5 | | D6043-555-B00 | Pin-shape terminal, 1380 male | | (6) |
| 6 | | HW-5F18S12-48 | L.SW cord | | (1.1) |
| 7 | | MAO-11512000 | Vinyl tube (A) | | (3) |
| 8 | | MAT-80158T00 | Ground wire mark tube | | (1) |
| 9 | | HP-1A32PLC-12 | Ground wire terminal | | (1) |
| 10 | | MAO-11514000 | Actuator | | (1) |
| 11 | | MAO-51503000 | Micro-switch | | (1) |
| 12 | | SM-4031601-SB | . . . Screw (A) | | (1) |
| 13 | | SM-4032001-SB | . . . Screw (B) | | (1) |
| 14 | | WP-0330501-SB | . . . Washer | | (2) |
| 15 | | NM-6030000-SB | . . . Nut | | (2) |
| 16 | | MAZ-025010A0 | Wiper magnet asm. | | (1) |
| 17 | | MAZ-02501000 | Wiper magnet | | (1) |
| 18 | | NM-6043212-SB | Plunger stopper nut | | (2) |
| 19 | | WS-0411022-SB | . . . Spring washer | | (1) |
| 20 | | MAT-80115T00 | . . . Washer | | (1) |
| 21 | | HW-5F18S12-28 | 2-core cabtyre cords | | (1.3) |
| 22 | | D2118-555-B00-A | Plunger | | (1) |
| 23 | | D2106-555-B00 | Spring for wiper magnet | | (1) |
| 24 | | RE-0901110-K0 | Snap ring for plunger | | (1) |
| 25 | | MAZ-02508000 | Cord holder | | 2 |
| 26 | | SS-7121410-SP | . . . Screw (B) | | 1 |
| 27 | | SS-7111120-SP | . . . Screw (A) | | 1 |
| 28 | | MAO-12502000 | Machine arm side cover (LEFT) | | 1 |
| 29 | | MAO-71515000 | L.SW name plate | | 1 |
| 30 | | MAO-12504000 | L.SW adjusting plate | | 1 |
| 31 | | MAO-12503000 | L.SW synchronizing plate | | 1 |
| 32 | | WP-0480856-SP | . . . Washer | | 1 |
| 33 | | WS-0451040-KP | . . . Spring washer | | 1 |
| 34 | | SS-7110740-TP | . . . Screw | | 1 |
| 35 | | MAO-12518000 | Switch insulating paper | | 1 |
| 36 | | MAZ-02502000 | Wiper magnet installing base | | 1 |
| 37 | | SM-4040601-SB | Wiper magnet screw | | 4 |
| 38 | | WP-0480856-SD | . . . Washer | | 4 |
| 39 | | SS-6151040-SP | Wiper magnet installing base screw | D.6/75 | - |
| | | SS-7151210-SP | Wiper magnet installing base screw | A.6/75 | 1 |
| 40 | | WP-0621016-SD | . . . Washer | | 1 |
| 41 | | MAZ-02503000 | . . . Cover | | 1 |
| 42 | | SS-7110340-SP | . . . Screw | | 3 |
| 43 | | D2107-555-B00 | Wiper link shaft (A) | | 1 |
| 44 | | RE-0250000-K0 | . . . Snap ring | C.10/78 | 2 |
| 45 | | MAZ-02504000 | Wiper link | | 1 |
| 46 | | SD-0550211-SP | . . . Screw | | 2 |
| 47 | | NS-6110310-SP | . . . Nut | | 2 |
| 48 | | MAZ-02505000 | Wiper base | | 1 |
| 49 | | WS-0521010-KP | . . . Spring washer | | 1 |
| 50 | | SS-6121220-SP | . . . Screw | | 1 |
| 51 | | MAZ-02506000 | Wiper | | 1 |
| 52 | * | MAZ-02507000 | Wiper thread guard spring | D.1/81 | - |
| | * | MAZ-02507000-A | Wiper thread guard spring | A.1/81 | 1 |
| 53 | | SS-3060410-SP | . . . Screw | D.5/75 | - |
| | | SS-5060310-SP | . . . Screw | A.5/75 | 2 |
| 54 | | D2113-555-B00 | Cord holder | A.7/75 | 1 |



| Ref. No. | Note | Part No. | Description | E.C. | Amt. Req. |
|----------|------|---------------|-------------------------------|--------|-----------|
| | 注記 | 品番 | | 変更年月 | 数量 |
| 1 | | MAO-145260A0 | L.SW unit | | 1 |
| 2 | | MAO-145270A0 | L.SW 6P plug asm. | | 1 |
| 3 | | D6043-555-B00 | Pin-shape terminal, 1380 male | | (4) |
| 4 | | D6029-555-B0A | 6-pole plug | | (1) |
| 5 | | MAT-81131T00 | ... Cover | | (1) |
| 6 | | HW-5F18S12-48 | L.SW cord | | (1.1) |
| 7 | | MAZ-02508000 | Cord holder | | (2) |
| 8 | | SS-7121410-SP | ... Screw (B) | | (1) |
| 9 | | SS-7111120-SP | ... Screw (A) | | (1) |
| 10 | | MAO-11512000 | Vinyl tube (A) | | (3) |
| 11 | | MAT-80158T00 | Ground wire mark tube | | (1) |
| 12 | | HP-1A32PLC-12 | Ground wire terminal | | (1) |
| 13 | | MAO-12518000 | Switch insulating paper | | (1) |
| 14 | | MAO-11514000 | Actuator | | (1) |
| 15 | | MAO-51503000 | Micro-switch | | (1) |
| 16 | | SM-4031601-SB | ... Screw (A) | | (1) |
| 17 | | SM-4032001-SB | ... Screw (B) | | (1) |
| 18 | | WP-0330501-SB | ... Washer | | (2) |
| 19 | | NM-6030000-SB | ... Nut | | (2) |
| 20 | | MAO-12502000 | Machine arm side cover (LEFT) | | 1 |
| 21 | | MAO-71515000 | L.SW name plate | | 1 |
| 22 | | MAO-12504000 | L.SW adjusting plate | | 1 |
| 23 | | MAO-12503000 | L.SW synchronizing plate | | 1 |
| 24 | | WP-0480856-SP | ... Washer | | 1 |
| 25 | | WS-0451040-KP | ... Spring washer | | 1 |
| 26 | | SS-7110740-TP | ... Screw | | 1 |
| 27 | | D2113-555-B00 | Cord holder | A.7/75 | 1 |

7. NUMERICAL INDEX OF PARTS

索引

| Part No. | Page | Item | Ref. No. | Part No. | Page | Item | Ref. No. | Part No. | Page | Item | Ref. No. | Part No. | Page | Item | Ref. No. |
|-----------------|------|------|----------|----------------|------|------|----------|---------------|-------|------|----------|---------------|------|------|----------|
| EXCLUSIVE PARTS | | | | 専用部品 | | | | | | | | | | | |
| B2633-232-000 | 3 | 2 | 18 | MAO-145230A0 | 7 | 4 | 1 | HP-1A43PEC-12 | 5 | 3 | 30 | SM-4031201-SB | 7 | 4 | 19 |
| D2106-555-800 | 9 | 5 | 23 | MAO-145240A0 | 3 | 2 | 36 | HP-1A43PEC-12 | 7 | 4 | 3 | SM-4031601-SB | 3 | 2 | 25 |
| D2107-555-800 | 9 | 5 | 43 | MAO-145250A0 | 3 | 2 | 22 | HR-0001010-20 | 7 | 4 | 42 | SM-4031601-SB | 9 | 5 | 12 |
| D2113-555-800 | 9 | 5 | 54 | MAO-145250B0 | 3 | 2 | 1 | HR-0001010-30 | 7 | 4 | 43 | SM-4031601-SB | 10 | 6 | 16 |
| D2113-555-800 | 10 | 6 | 27 | MAO-145260A0 | 10 | 6 | 1 | HR-0001010-40 | 7 | 4 | 44 | SM-4032001-SB | 9 | 5 | 13 |
| D2118-555-800-A | 9 | 5 | 22 | MAO-145270A0 | 10 | 6 | 2 | HR-0001015-10 | 7 | 4 | 45 | SM-4032001-SB | 10 | 6 | 17 |
| D6029-555-80A | 9 | 5 | 4 | MAO-145500FA | 1 | 1 | 1 | HR-0001020-30 | 7 | 4 | 46 | SM-4040601-SB | 5 | 3 | 6 |
| D6029-555-80A | 10 | 6 | 4 | MAO-145500FB | 1 | 1 | 2 | HR-0001022-20 | 7 | 4 | 47 | SM-4040601-SB | 9 | 5 | 37 |
| D6029-555-80B | 7 | 4 | 4 | MAO-51503000 | 3 | 2 | 24 | HR-0001022-40 | 7 | 4 | 48 | SM-4041001-SB | 5 | 3 | 28 |
| D6042-555-800 | 3 | 2 | 42 | MAO-51503000 | 9 | 5 | 11 | HR-0001027-20 | 7 | 4 | 49 | SM-4041001-SB | 5 | 3 | 32 |
| D6042-555-800 | 7 | 4 | 7 | MAO-51503000 | 10 | 6 | 15 | HR-0001033-10 | 7 | 4 | 50 | SM-4041601-SB | 5 | 3 | 12 |
| D6043-555-800 | 3 | 2 | 30 | MAO-52001000 | 3 | 2 | 15 | HR-0001047-30 | 7 | 4 | 51 | SS-3060410-SP | 9 | 5 | 53 |
| D6043-555-800 | 5 | 3 | 38 | MAO-520030A0 | 3 | 2 | 13 | HR-0002010-20 | 7 | 4 | 52 | SS-5060310-SP | 9 | 5 | 53 |
| D6043-555-800 | 9 | 5 | 5 | MAO-71515000 | 9 | 5 | 29 | HR-0003010-00 | 7 | 4 | 53 | SS-6121220-SP | 9 | 5 | 50 |
| D6043-555-800 | 10 | 6 | 3 | MAO-71515000 | 10 | 6 | 21 | HR-0003010-10 | 7 | 4 | 54 | SS-6151040-SP | 9 | 5 | 39 |
| MAI-15040000 | 3 | 2 | 35 | MAO-72001000 | 3 | 2 | 10 | HR-0003082-20 | 7 | 4 | 55 | SS-7090710-SP | 3 | 2 | 16 |
| MAI-15040000 | 5 | 3 | 37 | MAT-80115T00 | 9 | 5 | 20 | HR-0026010-20 | 7 | 4 | 56 | SS-7110340-SP | 9 | 5 | 42 |
| MAI-15041000 | 3 | 2 | 43 | MAT-80142T00 | 5 | 3 | 22 | HR-0027010-20 | 7 | 4 | 57 | SS-7110740-TP | 9 | 5 | 34 |
| MAI-15041000 | 7 | 4 | 6 | MAT-80143T00 | 5 | 3 | 23 | HR-0028015-20 | 7 | 4 | 58 | SS-7110740-TP | 10 | 6 | 26 |
| MAI-15042000 | 3 | 2 | 31 | MAT-80147T00 | 5 | 3 | 25 | HT-3C40010-S3 | 7 | 4 | 28 | SS-7110820-SP | 3 | 2 | 21 |
| MAI-15043000 | 7 | 4 | 5 | MAT-80148T00 | 5 | 3 | 26 | HT-5L80010-04 | 7 | 4 | 18 | SS-7111120-SP | 9 | 5 | 27 |
| MAO-11108N00 | 3 | 2 | 3 | MAT-80151T00 | 5 | 3 | 24 | HW-2F18S12-10 | 7 | 4 | 12 | SS-7111120-SP | 10 | 6 | 9 |
| MAO-11512000 | 3 | 2 | 28 | MAT-80152T00 | 5 | 3 | 16 | HW-2F18S12-11 | 7 | 4 | 14 | SS-7121410-SP | 9 | 5 | 26 |
| MAO-11512000 | 9 | 5 | 7 | MAT-80158T00 | 5 | 3 | 31 | HW-2F18S12-12 | 7 | 4 | 8 | SS-7121410-SP | 10 | 6 | 8 |
| MAO-11512000 | 10 | 6 | 10 | MAT-80158T00 | 9 | 5 | 8 | HW-2F18S12-13 | 7 | 4 | 15 | SS-7151210-SP | 9 | 5 | 39 |
| MAO-11514000 | 9 | 5 | 10 | MAT-80158T00 | 10 | 6 | 11 | HW-2F18S12-14 | 5 | 3 | 36 | SS-9151440-CP | 3 | 2 | 7 |
| MAO-11514000 | 10 | 6 | 14 | MAT-80159T00 | 5 | 3 | 27 | HW-2F18S12-14 | 7 | 4 | 17 | SS-9165530-SP | 3 | 2 | 45 |
| MAO-11532000 | 5 | 3 | 35 | MAT-81119T00 | 3 | 2 | 32 | HW-2F18S12-15 | 7 | 4 | 9 | | | | |
| MAO-11542000 | 3 | 2 | 14 | MAT-81126T00 | 3 | 2 | 34 | HW-2F18S12-16 | 7 | 4 | 13 | WASHER | 座金 | | |
| MAO-11602N00 | 3 | 2 | 23 | MAT-81126T00 | 3 | 2 | 44 | HW-2F18S12-17 | 7 | 4 | 11 | WP-0330501-SB | 3 | 2 | 26 |
| MAO-12002000 | 3 | 2 | 11 | MAT-81131T00 | 9 | 5 | 3 | HW-2F18S12-18 | 7 | 4 | 10 | WP-0330501-SB | 7 | 4 | 20 |
| MAO-1250100A | 3 | 2 | 38 | MAT-81131T00 | 10 | 6 | 5 | HW-2F18S12-19 | 7 | 4 | 16 | WP-0330501-SB | 7 | 4 | 25 |
| MAO-1250100C | 3 | 2 | 39 | MAZ-025000FA | 1 | 1 | 3 | HW-5F18S12-28 | 3 | 2 | 29 | WP-0330501-SB | 9 | 5 | 14 |
| MAO-1250100D | 3 | 2 | 41 | MAZ-025000FB | 1 | 1 | 4 | HW-5F18S12-28 | 3 | 2 | 33 | WP-0330501-SB | 10 | 6 | 18 |
| MAO-1250100E | 3 | 2 | 37 | MAZ-025010A0 | 9 | 5 | 16 | HW-5F18S12-28 | 9 | 5 | 21 | WP-0450501-SB | 5 | 3 | 7 |
| MAO-1250100J | 3 | 2 | 40 | MAZ-025010B0 | 9 | 5 | 2 | HW-5F18S12-48 | 9 | 5 | 6 | WP-0450501-SB | 5 | 3 | 13 |
| MAO-12502000 | 9 | 5 | 28 | MAZ-025010C0 | 9 | 5 | 1 | HW-5F18S12-48 | 10 | 6 | 6 | WP-0450501-SB | 5 | 3 | 29 |
| MAO-12502000 | 10 | 6 | 20 | MAZ-02501000 | 9 | 5 | 17 | | | | | WP-0450501-SB | 5 | 3 | 34 |
| MAO-12503000 | 9 | 5 | 31 | MAZ-02502000 | 9 | 5 | 36 | NUT | ナット | | | WP-0480856-SD | 9 | 5 | 38 |
| MAO-12503000 | 10 | 6 | 23 | MAZ-02503000 | 9 | 5 | 41 | NM-6030000-SB | 3 | 2 | 27 | WP-0480856-SP | 9 | 5 | 32 |
| MAO-12504000 | 9 | 5 | 30 | MAZ-02504000 | 9 | 5 | 45 | NM-6030000-SB | 7 | 4 | 22 | WP-0480856-SP | 10 | 6 | 24 |
| MAO-12504000 | 10 | 6 | 22 | MAZ-02505000 | 9 | 5 | 48 | NM-6030000-SB | 7 | 4 | 27 | WP-0621016-SD | 9 | 5 | 40 |
| MAO-12505000 | 3 | 2 | 2 | MAZ-02506000 | 9 | 5 | 51 | NM-6030000-SB | 9 | 5 | 15 | WP-0650876-SD | 3 | 2 | 9 |
| MAO-12506000 | 3 | 2 | 20 | MAZ-02507000 | 9 | 5 | 52 | NM-6030000-SB | 10 | 6 | 19 | WP-0651001-SB | 3 | 2 | 46 |
| MAO-12507000 | 3 | 2 | 6 | MAZ-02507000-A | 9 | 5 | 52 | NM-6040000-SB | 5 | 3 | 15 | WP-0751576-SD | 3 | 2 | 47 |
| MAO-12509000 | 3 | 2 | 17 | MAZ-02508000 | 9 | 5 | 25 | NM-6043212-SB | 9 | 5 | 18 | | | | |
| MAO-1251100A | 5 | 3 | 10 | MAZ-02508000 | 10 | 6 | 7 | NM-6060000-SB | 3 | 2 | 5 | SPRING WASHER | バネ座金 | | |
| MAO-1251100B | 5 | 3 | 11 | | | | | NS-6090310-SP | 3 | 2 | 19 | WS-0310702-KB | 5 | 3 | 18 |
| MAO-12513000 | 5 | 3 | 5 | ELECTRON PARTS | 電子部品 | | | NS-6110310-SP | 9 | 5 | 47 | WS-0310702-KB | 5 | 3 | 20 |
| MAO-12516000 | 5 | 3 | 9 | HC-0002200-00 | 7 | 4 | 36 | NS-6160520-SP | 3 | 2 | 49 | WS-0310702-KB | 7 | 4 | 21 |
| MAO-12517000 | 5 | 3 | 8 | HC-0002300-00 | 7 | 4 | 38 | | | | | WS-0310702-KB | 7 | 4 | 26 |
| MAO-12518000 | 9 | 5 | 35 | HC-0002400-00 | 7 | 4 | 37 | SNAP RING | エリリング | | | WS-0310702-KS | 5 | 3 | 18 |
| MAO-12518000 | 10 | 6 | 13 | HC-0002500-00 | 7 | 4 | 39 | RE-0320610-KX | 3 | 2 | 12 | WS-0310702-KS | 5 | 3 | 20 |
| MAO-14502000 | 7 | 4 | 40 | HC-0002600-00 | 7 | 4 | 35 | RE-0250000-K0 | 9 | 5 | 44 | WS-0310702-KS | 7 | 4 | 21 |
| MAO-14503000 | 7 | 4 | 41 | HC-0002700-00 | 7 | 4 | 34 | RE-0901110-K0 | 9 | 5 | 24 | WS-0310702-KS | 7 | 4 | 26 |
| MAO-14504000 | 5 | 3 | 3 | HG-0002300-00 | 7 | 4 | 30 | | | | | WS-0411002-KB | 5 | 3 | 14 |
| MAO-14506000 | 7 | 4 | 2 | HG-0002400-00 | 7 | 4 | 29 | SCREW | ネジ | | | WS-0411002-KB | 5 | 3 | 33 |
| MAO-14507000 | 7 | 4 | 23 | HG-2672011-2P | 7 | 4 | 33 | SD-0550211-SP | 9 | 5 | 46 | WS-0411022-SB | 9 | 5 | 19 |
| MAO-145220BA | 5 | 3 | 1 | HG-2672014-7P | 7 | 4 | 32 | SK-3452000-SC | 5 | 3 | 4 | WS-0451040-KP | 9 | 5 | 33 |
| MAO-145220BB | 5 | 3 | 2 | HG-35660P1-0T | 7 | 4 | 31 | SM-4030601-SB | 5 | 3 | 19 | WS-0451040-KP | 10 | 6 | 25 |
| MAO-145230A0 | 5 | 3 | 39 | HP-1A32PLC-12 | 5 | 3 | 21 | SM-4031001-SB | 5 | 3 | 17 | WS-0521010-KP | 9 | 5 | 49 |
| | | | | HP-1A32PLC-12 | 9 | 5 | 9 | SM-4031001-SB | 7 | 4 | 24 | WS-0651510-KP | 3 | 2 | 4 |
| | | | | HP-1A32PLC-12 | 10 | 6 | 12 | | | | | WS-0651510-KP | 3 | 2 | 8 |
| | | | | | | | | | | | | WS-0651510-KP | 3 | 2 | 48 |